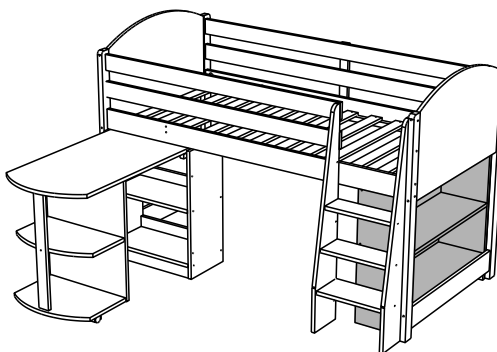
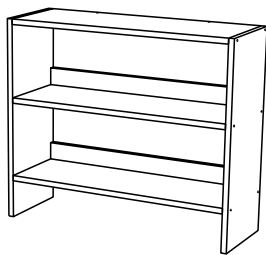
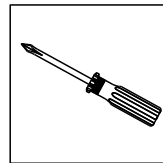
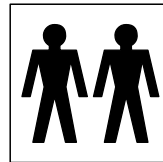
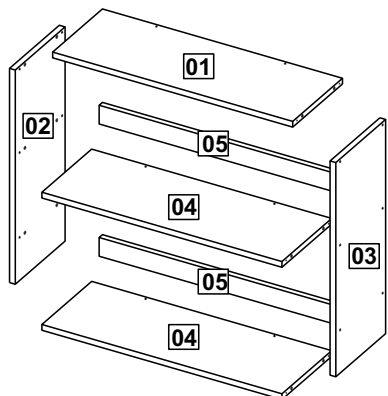


ASSEMBLY INSTRUCTIONS



MID SLEEPER BOOKCASE

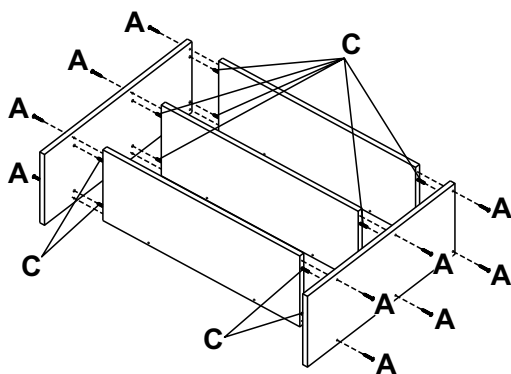


PARTS

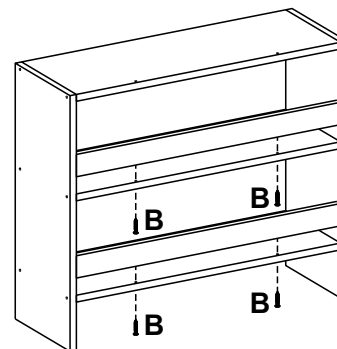
Description	Quantity
01 - Top	01
02 - Left Side	01
03 - Right Side	01
04 - Shelf	02
05 - Crossbar	02

A		12
B		04
C		12

01



02



03

