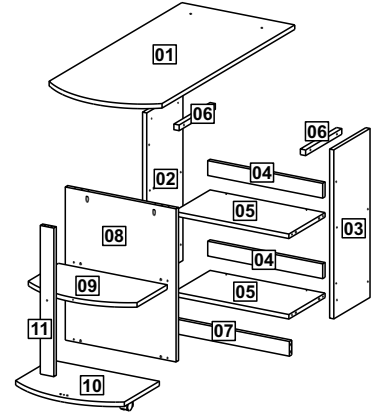
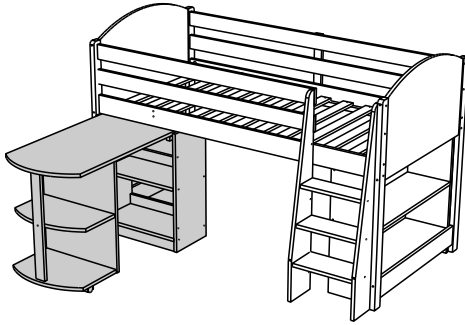
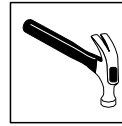


# ASSEMBLY INSTRUCTIONS



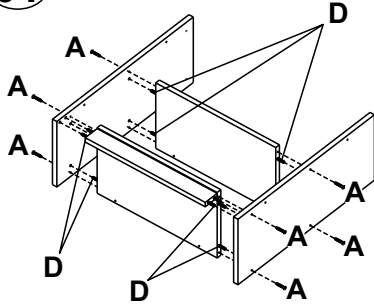
## MID SLEEPER PULL OUT DESK

## PARTS LIST

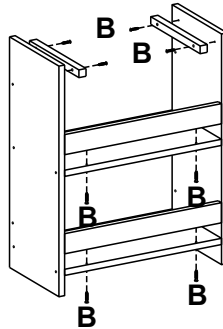
|   |  |          |    |
|---|--|----------|----|
| A |  | 5.0 x 45 | 17 |
| B |  | 5.0 x 35 | 13 |
| C |  | 4.0 x 16 | 08 |
| D |  | 8.0 x 40 | 22 |
| E |  | 8.0 x 60 | 02 |
| F |  |          | 02 |

| Description        | Quantity |
|--------------------|----------|
| 01 - Top           | 01       |
| 02 - Left Side     | 01       |
| 03 - Right Side    | 01       |
| 04 - Crossbar      | 02       |
| 05 - Shelf         | 02       |
| 06 - Support Top   | 02       |
| 07 - Plinth        | 01       |
| 08 - Division      | 01       |
| 09 - Curved Shelf  | 01       |
| 10 - Base          | 01       |
| 11 - Front Support | 01       |

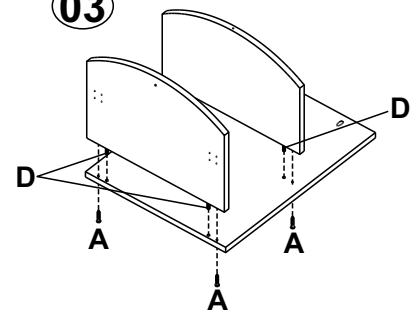
01



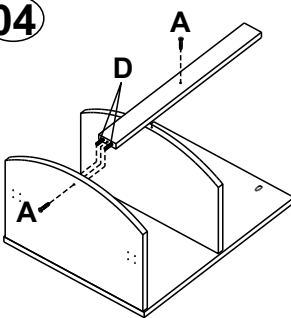
02



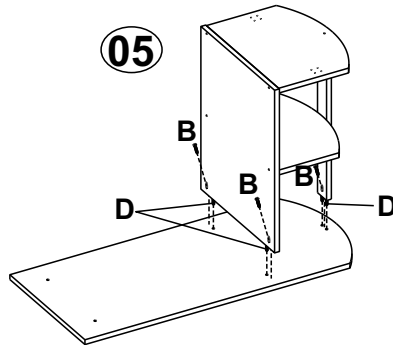
03



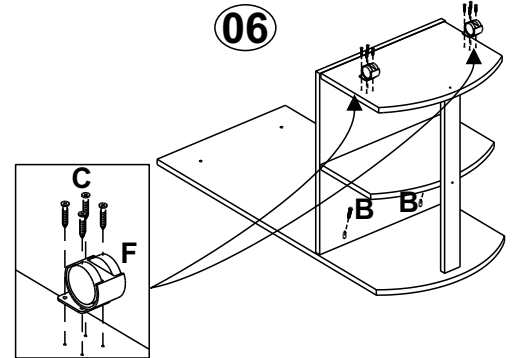
04



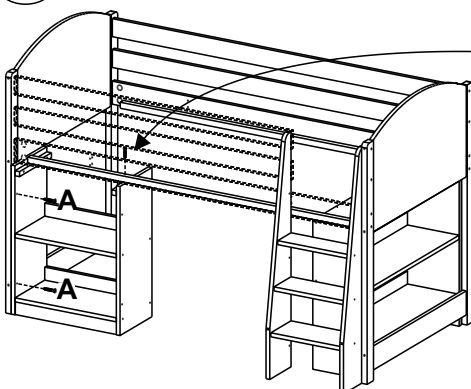
05



06



07



08

