

ASSEMBLY INSTRUCTIONS

****Please Note: All Bunk Beds are for domestic use only****



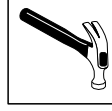
MID SLEEPER



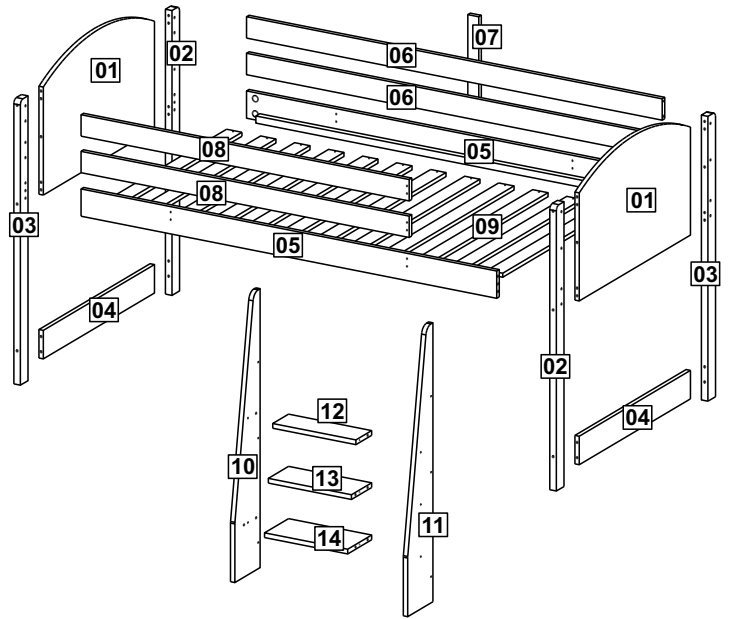
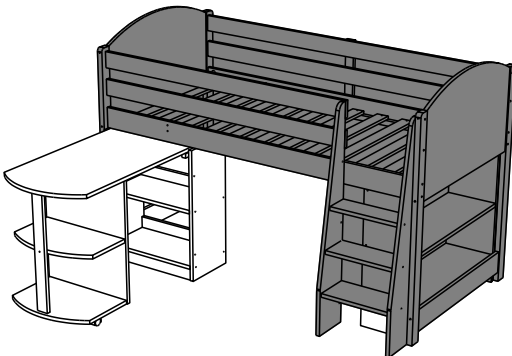
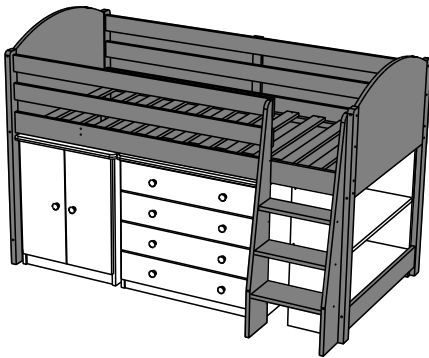
IMPORTANT

» The upper part of the bunk is not suitable for children under the age of 6 years.

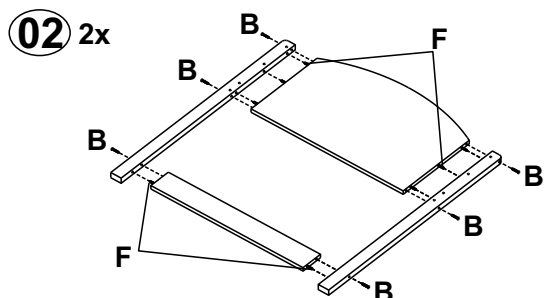
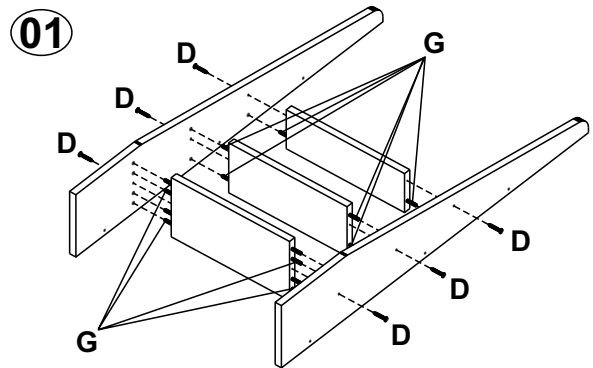
» This bed has successfully satisfied the requirements of BS EN 747-1 furniture-bunk beds domestic use - parts 1. Safety requirements and BS 747-2 furniture bunk beds for domestic use - parts 2.



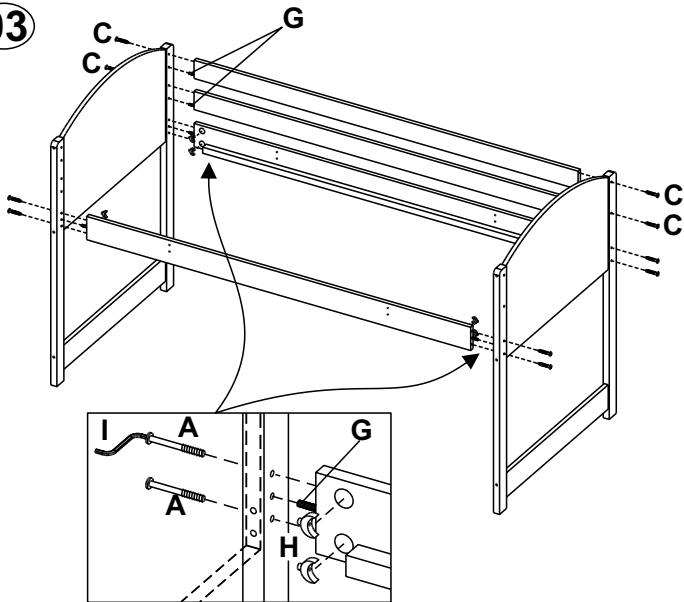
01	Panel	2x
02	Right Post	2x
03	Left Post	2x
04	Crossbar	2x
05	Sideral	2x
06	Long Safety Rail	2x
07	Strud	1x
08	Short Safety Rail	2x
09	Slats	12x
10	Left Side Ladder	1x
11	Right Side Ladder	1x
12	Small Step Ladder	1x
13	Medium Step Ladder	1x
14	Large Step Ladder	1x



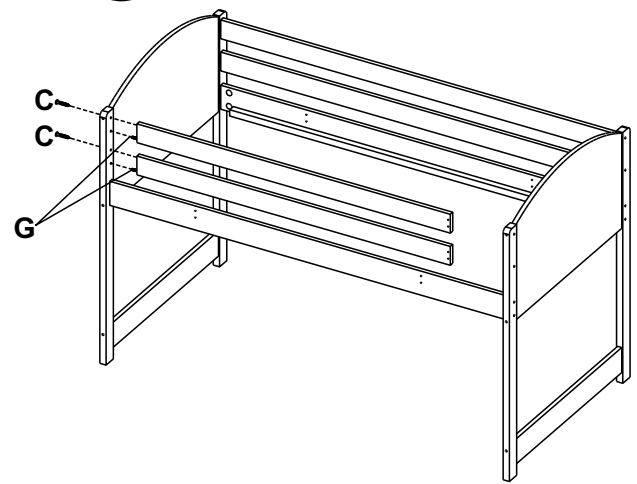
A		08
B		12
C		06
D		15
E		24
F		16
G		24
H		08
I		01
J		03
K		03



03

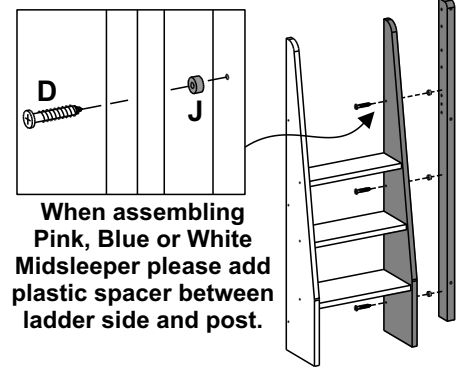
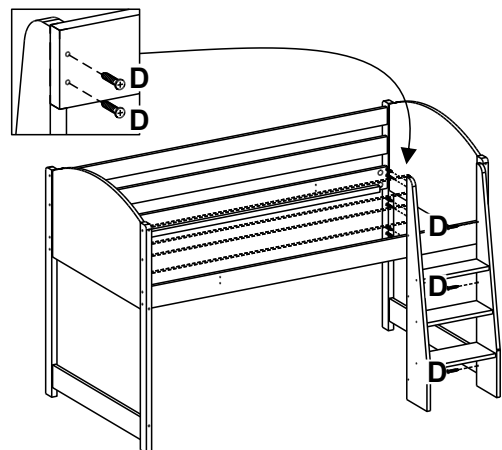
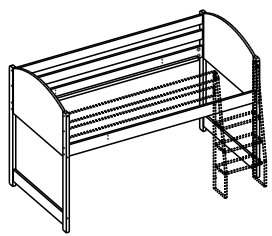


04



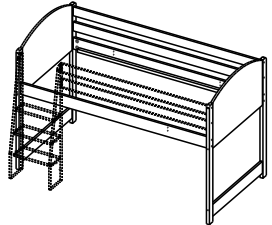
05 OPTIONS

RIGHT HAND SIDE ASSEMBLY

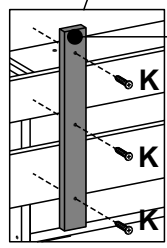
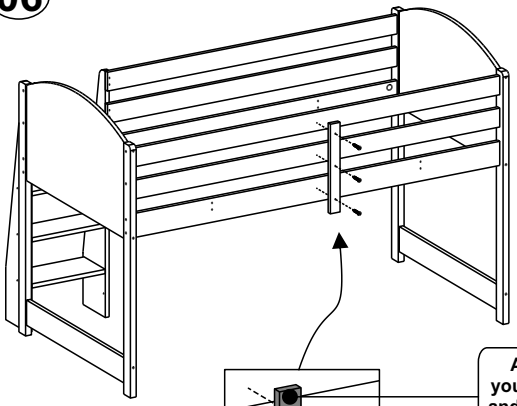


When assembling Pink, Blue or White Midsleeper please add plastic spacer between ladder side and post.

LEFT HAND SIDE ASSEMBLY

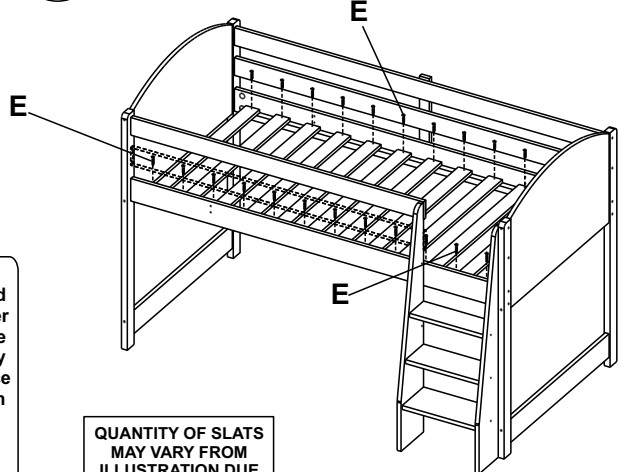


06



Attention this is for your safety, please read and act on it. Remember for your safety, we have strengthened the safety rails by means of a piece of wood (390x40) which must be fixed on the opposite side of the ladder. This piece of wood should be fixed upright with the screws (3 in total) provided.

07



QUANTITY OF SLATS MAY VARY FROM ILLUSTRATION DUE TO WIDTH OF SLATS.