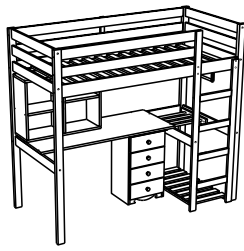


ATTENTION PLEASE
 ALTHOUGH DESIGN ON THE ASSEMBLY
 MAY DIFFER FROM THE ACTUAL BED, IT DOES NOT
 AFFECT THE WAY THE BEDS ARE ASSEMBLED.
 THIS IS FOR GUIDANCE ONLY.

HIGH BED

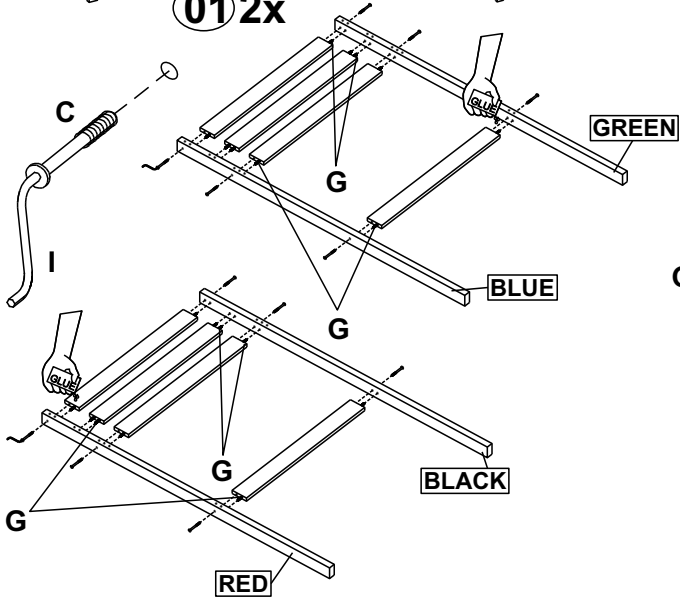


OPTIONS

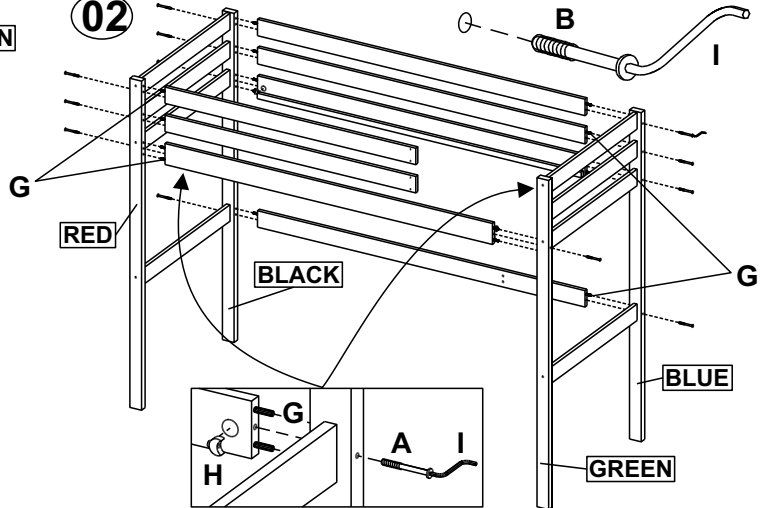


A		1/4" x 100	04
B		7,0 x 110	08
C		7,0 x 90	16
D		7,0 x 60	02
E		5,0 x 35	13
F		3,5 x 35	28
G		8,0 x 40	50
H		1/4"	04
I			01
J		SLAT SPACER	01
K		GLUE	02

01 2x



02



Rev.:01-03/11/2010

ATTENTION PLEASE
 ALTHOUGH DESIGN ON THE ASSEMBLY
 MAY DIFFER FROM THE ACTUAL BED, IT DOES NOT
 AFFECT THE WAY THE BEDS ARE ASSEMBLED.
 THIS IS FOR GUIDANCE ONLY.

HIGH BED

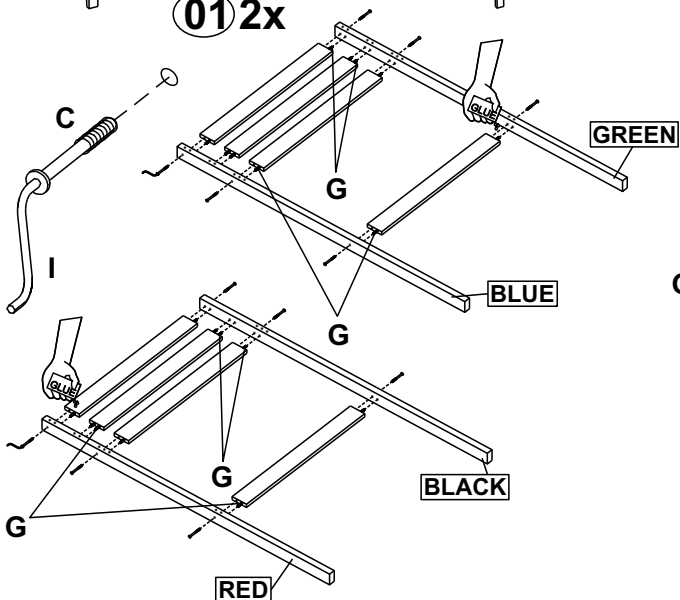


OPTIONS

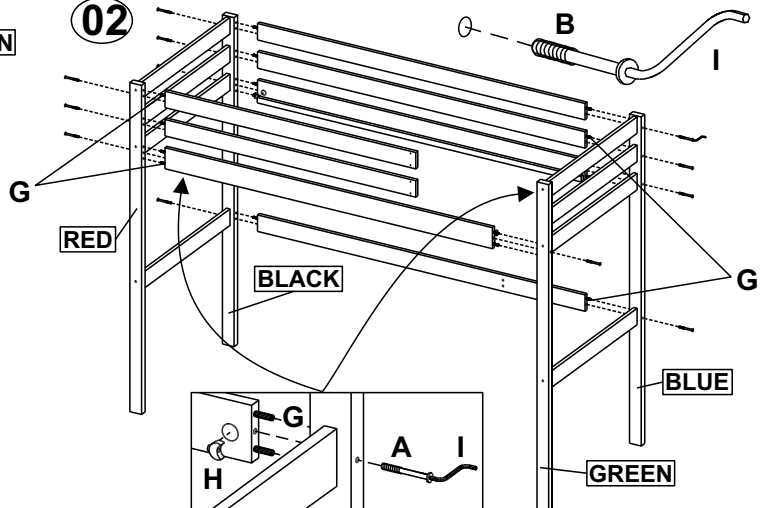


A		1/4" x 100	04
B		7,0 x 110	08
C		7,0 x 90	16
D		7,0 x 60	02
E		5,0 x 35	13
F		3,5 x 35	28
G		8,0 x 40	50
H		1/4"	04
I			01
J		SLAT SPACER	01
K		GLUE	02

01 2x



02



Rev.:01-03/11/2010

