



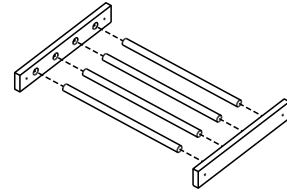
ATTENTION PLEASE
ALTHOUGH DESIGN ON THE ASSEMBLY
MAY DIFFER FROM THE ACTUAL BED, IT DOES NOT
AFFECT THE WAY THE BEDS ARE ASSEMBLED.
THIS IS FOR GUIDANCE ONLY.

A   5,0 x 35 04

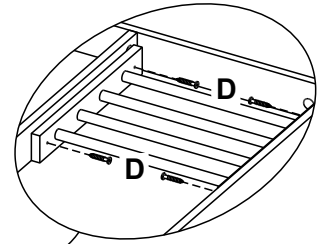
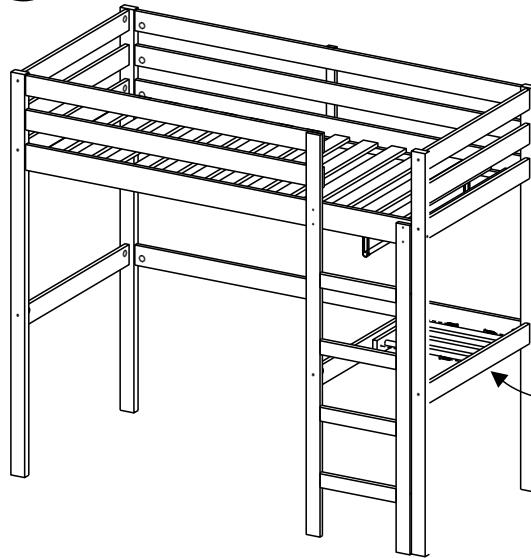


“HIGH BED” TROUSER HOLDER

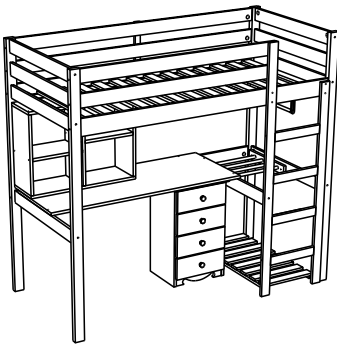
01



02


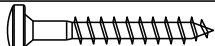


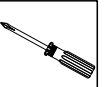
OPTIONS



Rev.:01-18/02/2012

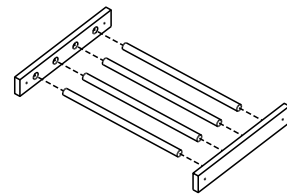
ATTENTION PLEASE
ALTHOUGH DESIGN ON THE ASSEMBLY
MAY DIFFER FROM THE ACTUAL BED, IT DOES NOT
AFFECT THE WAY THE BEDS ARE ASSEMBLED.
THIS IS FOR GUIDANCE ONLY.

A   5,0 x 35 04

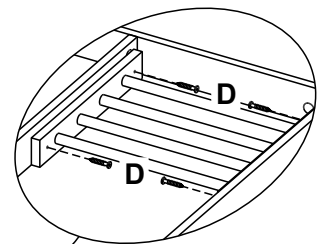
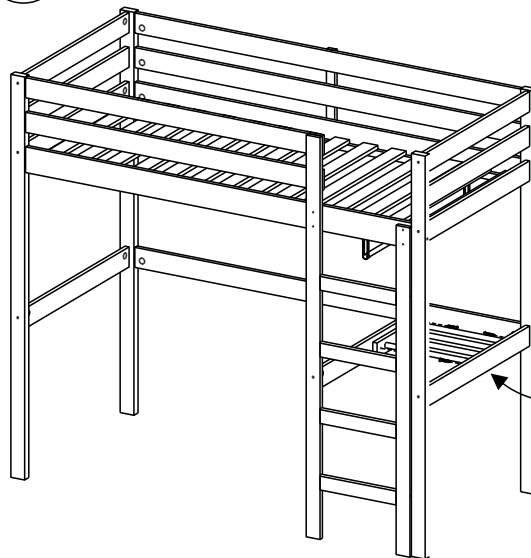


“HIGH BED” TROUSER HOLDER

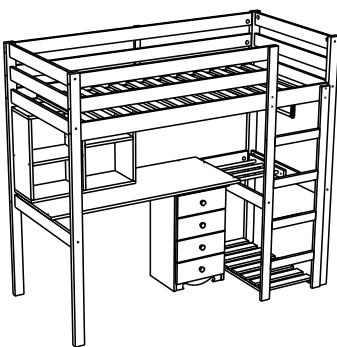
01



02



OPTIONS



Rev.:01-18/02/2012